

RTS Cooler Cabinet Assembly Instructions

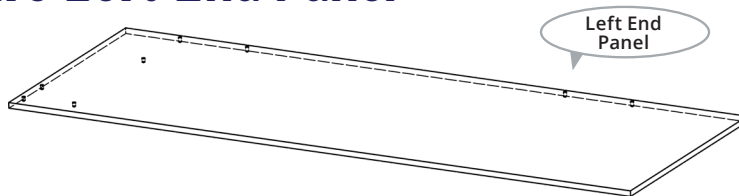
— What's Included? —

- Left End Panel
- Right End Panel
- Header Face
- Header Top
- Installed Cams
- 4 Levelers
- Sign
- 2 Back Support Braces (*cams on ends only*)
- Header Base (*cams on ends and cam holes on top*)



Step 1: Prepare Left End Panel

- Lay the left end panel on the floor with the drilled holes facing up
(Clean any debris from the drilled holes to ensure cams tighten properly)

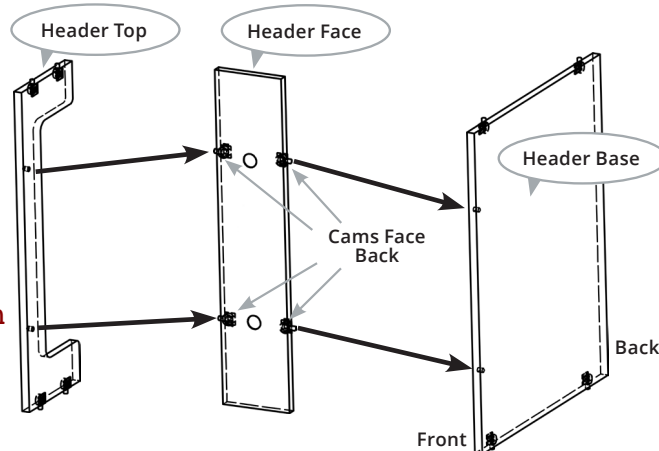


Step 2: Assemble Header

- Install header face onto header base
- Install header top onto header face
- Tighten cams with Phillip head screwdriver until snug (approx. 90°).



These Quickloc connectors are meant to be permanent, not to be removed and reinstalled. Please be careful when installing. Do not over tighten.

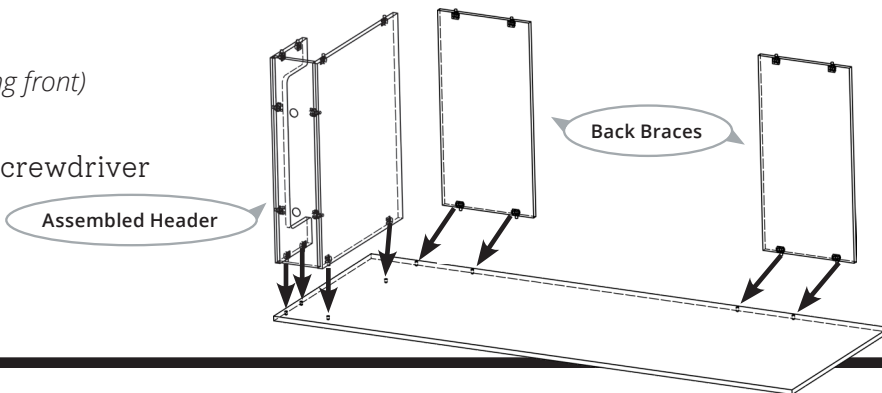


Step 3: Install the Header and Back Braces

- Place header onto left end panel
- Place both back braces (*cams facing front*) onto left end panel
- Tighten cams with Phillip head screwdriver until snug (approx. 90°).

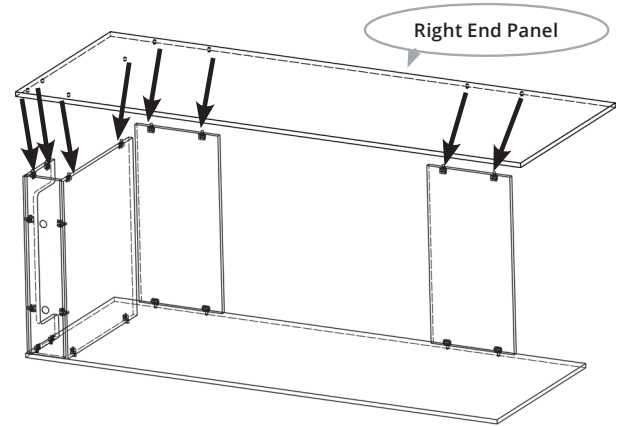


Do not over tighten.



Step 4: Prepare and Install the Right End Panel

- Clean any debris from the drilled holes to ensure cams tighten properly
- Place right end panel on top of assembly, aligning the cams carefully
- Gravity should do most of the work, but press panel onto assembly



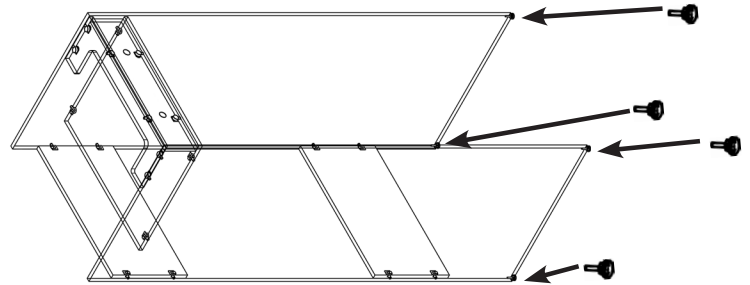
Step 5: Tighten It Up and Get It Ready

- Tighten cams with Phillip head screwdriver until snug (approx. 90°).



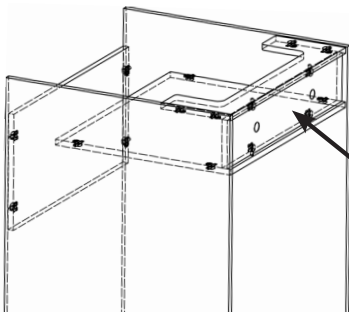
Do not over tighten.

- Rotate cabinet so that the back is lying flat on the floor
- Insert levelers



Finishing Touches and Slide into Place

Check cams to ensure they are tightened before lifting. Insert sign and gently lift into standing position. Gently slide each section into place. **These sections will be large and heavy so use caution and assistance to push the combined sections against the wall. Be sure to keep the panels from buckling while moving.**



Twist a Cap

As a last step of any installation, please ensure all panels, walls, cabinets and coolers are braced securely. We strive to include all necessary instructions and hardware but it is the responsibility of the installer to ensure the cabinetry has been secured properly.

Genesis Décor
Creating Breakroom Environments

Contact Us:

Wil Arrington, Sales Manager
804-561-4844
wilarrington@genesisdecor.com

Learn More:

Visit GenesisDecor.com to find out more about our various cabinetry lines, graphics, and color options.